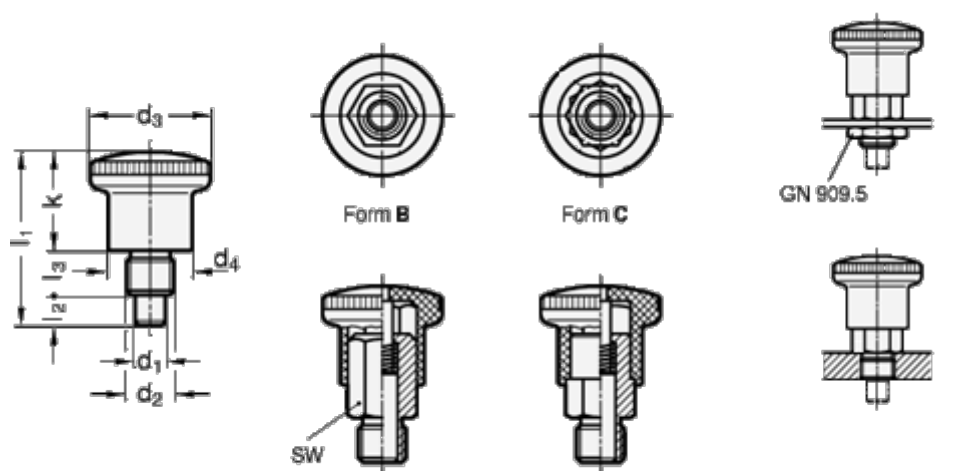


Article number: 20822610M1615B

Description: E+G Mini indexing plunger
with/without rest position, GN 822.6-10-M16x1,5-B

Measures



$d_1 = 10$
 $d_2 = M16x1,5$
 $d_3 = 33$
 $d_4 = 23$
 $k = 25.5$
 $l_1 = 47.5$
 $l_2 = 10$
 $l_3 = 12$

Spring load initial $N = 11$